

RACK GUARDS

SAFE. STRONG. PROVEN.



Cubic Rack Guards absorb the impact of a forklift or other moving vehicle. They protect your investment by taking the beating for your rack system uprights. Rack Guards are the perfect solution when an economical physical barrier is required. Our Rack Guards are in stock and ready to ship within 48 hours of an order, so it's the ideal solution when time and money are important.

- Offered in two standard sizes - 12" and 24" heights. Custom heights available upon request.
- Cubic Rack Guards feature a triangulated design with heavy-duty construction to deflect impact and prevent damage to rack uprights.
- Cubic Rack Guards are constructed of steel and equipped with factory welded base plates that bolt directly to your facility floor.
- Rack Guards are available for rack uprights with standard footplates or seismic footplates.
- Cubic Rack Guards come standard with yellow, durable powder coat finish. Custom colors and paint finishes available upon request. Please note: Custom color and finishes may affect price and lead time.
- Rack guards are available for purchase online at:

<http://www.cubicdesigns.com/spg>

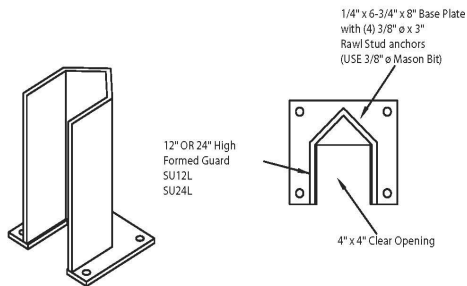


GENERAL SPECIFICATIONS

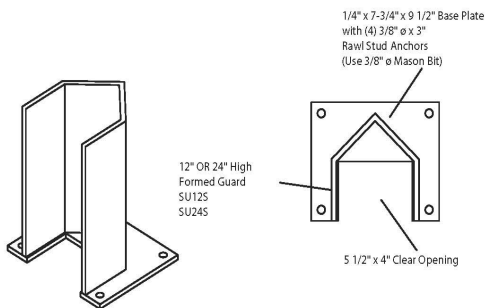
SAFE. STRONG. PROVEN.

SAFETY RACK GUARD - STANDARD DUTY

SAFETY RACK GUARD (STANDARD DUTY)

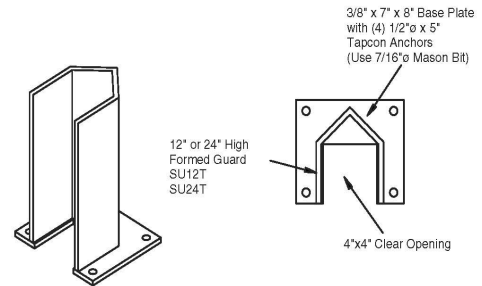


SAFETY RACK GUARD (SEISMIC)

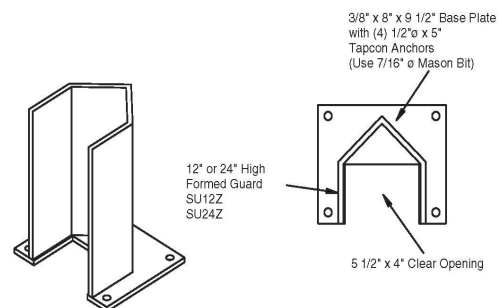


SAFETY RACK GUARD - HEAVY DUTY

SAFETY RACK GUARD (HEAVY DUTY)



SAFETY RACK GUARD (SEISMIC)



Standard Duty Rack Guards—Available Sizes

12" Standard Duty Rack Guards

24" Standard Duty Rack Guards

12" Standard Duty Seismic Rack Guards

24" Standard Duty Seismic Rack Guards

Heavy Duty Rack Guards—Available Sizes

12" Heavy Duty Rack Guards

24" Heavy Duty Rack Guards

12" Heavy Duty Seismic Rack Guards

24" Heavy Duty Seismic Rack Guards

