

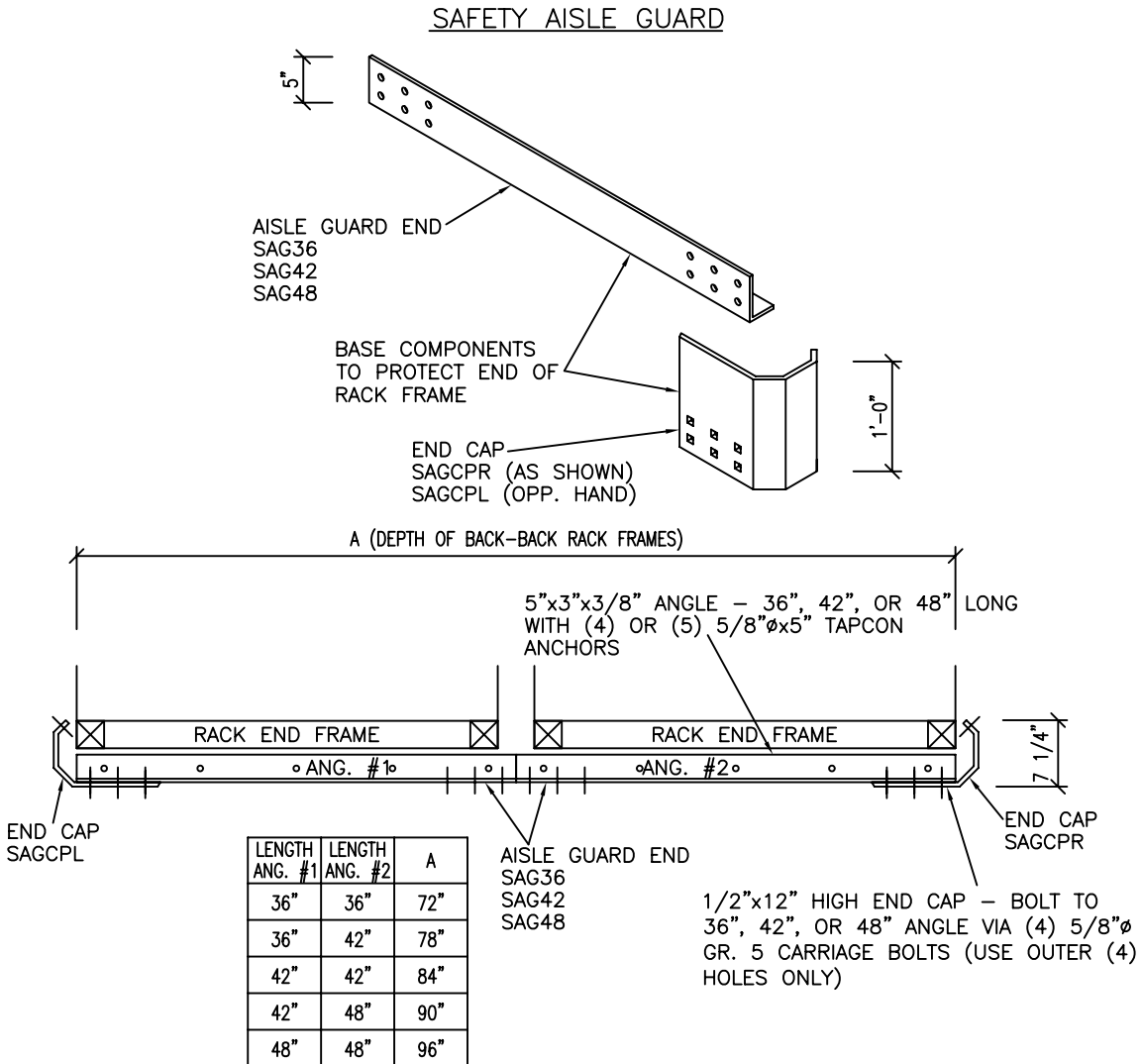
Cubic Designs Inc.

16770 WEST VICTOR ROAD

NEW BERLIN, WI 53151

262-789-1966 800-826-7061 FAX: 262-789-1970

SAFETY AISLE GUARD



NOTE: LENGTH OF PROTECTION (A) FROM ANGLE #1 AND ANGLE #2 CAN BE INCREASED BY 3" PER END BY MOVING END CAP FROM POS. #1 TO POS. #2

